

**PLEASE CHECK WWW.MOLEX.COM FOR LATEST PART INFORMATION**

**Part Number:** [0009524054](#)  
**Status:** **Active**  
**Overview:** [kk](#)  
**Description:** 3.96mm (.156") Pitch KK® Crimp Housing, Female, Friction Ramp, 5 Circuits

**Documents:**

|   |   |
|---|---|
| <a href="#">3D Model</a>                                | <a href="#">Product Specification PS-5239-006 (PDF)</a> |
| <a href="#">Drawing (PDF)</a>                           | <a href="#">Product Specification PS-5239-007 (PDF)</a> |
| <a href="#">Product Specification PS-5239-002 (PDF)</a> | <a href="#">Product Specification PS-5239-010 (PDF)</a> |
| <a href="#">Product Specification PS-5239-003 (PDF)</a> | <a href="#">Product Specification PS-5239-011 (PDF)</a> |
| <a href="#">Product Specification PS-5239-004 (PDF)</a> | <a href="#">RoHS Certificate of Compliance (PDF)</a>    |
| <a href="#">Product Specification PS-5239-005 (PDF)</a> |   |

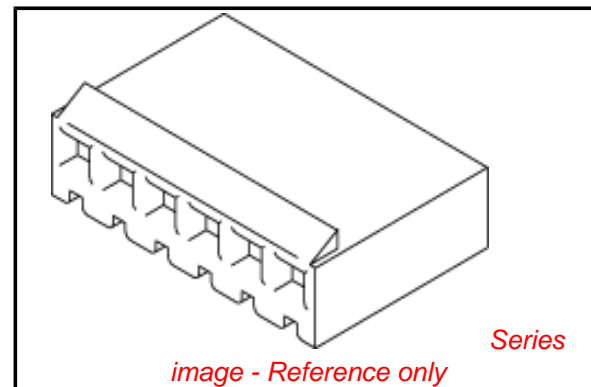


image - Reference only

**Agency Certification**

|     |           |
|-----|-----------|
| CSA | LR19980   |
| TUV | R72090224 |
| UL  | E29179    |

**General**

|                |                      |
|----------------|----------------------|
| Product Family | Crimp Housings       |
| Series         | <a href="#">5239</a> |
| Overview       | <a href="#">kk</a>   |
| Product Name   | KK®                  |

**Physical**

|                               |                 |
|-------------------------------|-----------------|
| Circuits (maximum)            | 5               |
| Color - Resin                 | Natural         |
| Flammability                  | 94V-2           |
| Gender                        | Female          |
| Glow-Wire Compliant           | No              |
| Lock to Mating Part           | Yes             |
| Material - Resin              | Nylon           |
| Number of Rows                | 1               |
| Packaging Type                | Bag             |
| Panel Mount                   | No              |
| Pitch - Mating Interface (in) | 0.156 In        |
| Pitch - Mating Interface (mm) | 3.96 mm         |
| Polarized to Mating Part      | Yes             |
| Stackable                     | No              |
| Temperature Range - Operating | -40°C to +105°C |

**Material Info**

|                 |         |
|-----------------|---------|
| Old Part Number | 5239-05 |
|-----------------|---------|

**Reference - Drawing Numbers**

|                       |  |
|-----------------------|--|
| Product Specification | PS-5239-002, PS-5239-003, PS-5239-004, PS-5239-005, PS-5239-006, PS-5239-007, PS-5239-010, PS-5239-011, RPS-5239-001 |
| Sales Drawing         | SD-5239-N  |

**EU RoHS**

**ELV and RoHS Compliant**  
**REACH SVHC**  
 Not Reviewed  
**Halogen-Free Status**

**China RoHS**



**Halogen-Free**

**Need more information on product environmental compliance?**

Email [productcompliance@molex.com](mailto:productcompliance@molex.com)  
 For a multiple part number RoHS Certificate of Compliance, [click here](#)

Please visit the [Contact Us](#) section for any non-product compliance questions.

**Search Parts in this Series**

[5239Series](#)

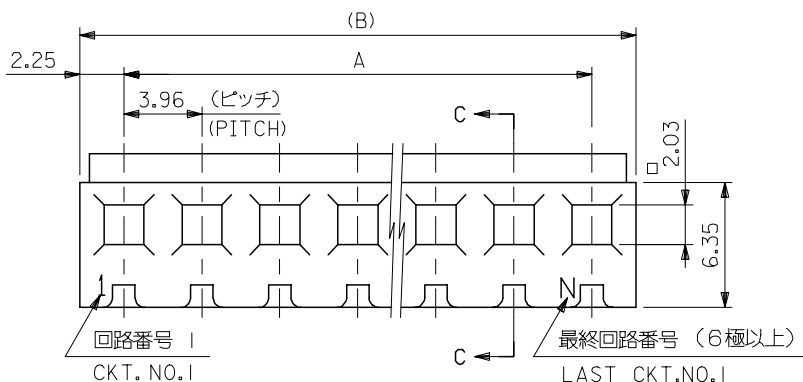
**Mates With**

Right Angle PCB Header, [5274](#) [5272](#) ,  
 Vertical PCB Header [5271](#) , [5273](#)

**Use With**

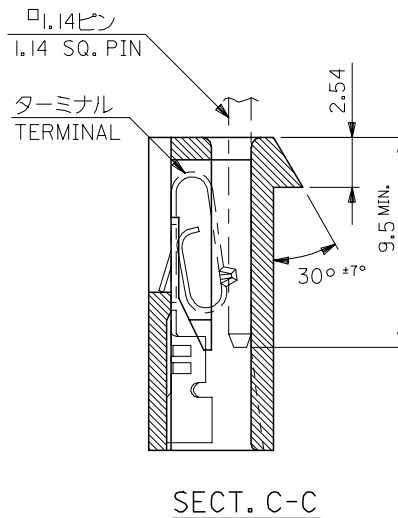
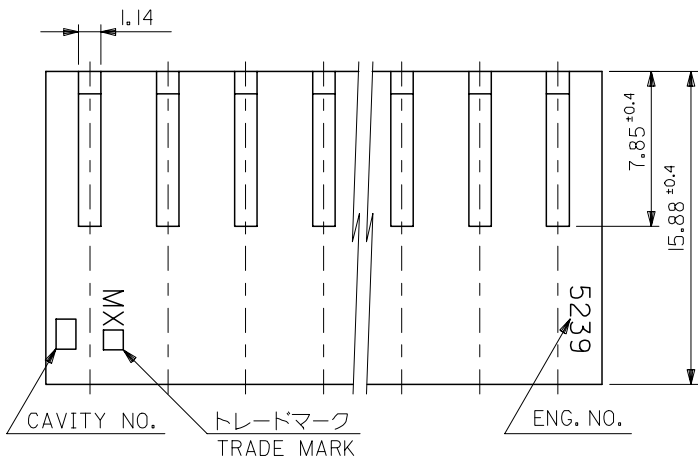
[5168](#) Cat Ear Crimp Terminals for 22-28 AWG, [5167](#) Cat Ear Crimp Terminals for 18-24 AWG, [2478](#) Crimp Terminal, [2578](#) Crimp Terminal

10 9 8 7 6 5 4 3 2 1



注記 NOTES

- 適合ターミナル : 2478,2578,5167,5168 シリーズ  
APPLICABLE TERMINAL: 2478,2578,5167,5168 SERIES.
- 反り : 0.2/25.4 MAX.  
CAMBER: 0.2/25.4 MAX.



|       |             |            |          |         |
|-------|-------------|------------|----------|---------|
| 79.74 | 75.24 ±0.4  | 09-52-4204 | 5239-20  | 20      |
| 71.82 | 67.32 ±0.35 | ▲ -4184    | ▲ -18    | 18      |
| 67.86 | 63.36 ±0.3  | -4174      | -17      | 17      |
| 63.90 | 59.40 ±0.3  | -4164      | -16      | 16      |
| 59.94 | 55.44 ±0.3  | -4154      | -15      | 15      |
| 55.98 | 51.48 ±0.3  | -4144      | -14      | 14      |
| 52.02 | 47.52 ±0.3  | -4134      | -13      | 13      |
| 48.06 | 43.56 ±0.25 | -4124      | -12      | 12      |
| 44.10 | 39.60 ±0.25 | -4114      | -11      | 11      |
| 40.14 | 35.64 ±0.25 | -4104      | -10      | 10      |
| 36.18 | 31.68 ±0.2  | -4094      | -09      | 9       |
| 32.22 | 27.72 ±0.2  | -4084      | -08      | 8       |
| 28.26 | 23.76 ±0.2  | -4074      | -07      | 7       |
| 24.30 | 19.80 ±0.2  | -4064      | -06      | 6       |
| 20.34 | 15.84 ±0.15 | -4054      | -05      | 5       |
| 16.38 | 11.88 ±0.15 | -4044      | -04      | 4       |
| 12.42 | 7.92 ±0.15  | ▼ -4034    | ▼ -03    | 3       |
| 8.46  | 3.96 ±0.1   | 09-52-4024 | 5239-02  | 2       |
| B     | A           | EDP NO.    | ENG. NO. | 極数 CKT. |

MATERIAL  
ナイロン66 UL94V-2  
NYLON66

|   |                                       |  |                            |                    |  |                        |                        |  |
|---|---------------------------------------|--|----------------------------|--------------------|--|------------------------|------------------------|--|
| REVISED<br>EC NO: J2006-3401<br>DRWNG: SAITOO1 2006/07/19<br>CHKD: TANAKA 2006/07/19<br>APPR: NUKITA 2006/07/20               | GENERAL TOLERANCES (UNLESS SPECIFIED) |  | DIMENSION STYLE<br>MM ONLY |                    | SCALE<br>4:1                           | DESIGN UNITS<br>METRIC | THIRD ANGLE PROJECTION |  |
|   | 10 UNDER                              | ±0.2   | DRAWN BY<br>H. HIRAMOTO    | DATE<br>1989/09/15 | TITLE<br>KK 3.96 RECEPTACLE HSG        |                        |                        |  |
|   | 10 OVER 30 UNDER                      | ±0.25  | CHECKED BY<br>S.A/ M.F     | DATE<br>1996/04/10 | APPROVED BY<br>M. FUKUSHIMA 1996/04/10 |                        |                        |  |
|   | 30 OVER                               | ±0.3   | MATERIAL NO.<br>SEE CHART  |                    | DOCUMENT NO.<br>SD-5239-N              |                        | SHEET NO.<br>1 OF 1    |  |
| ANGULAR ±3 °  |                                       | DRAFT WHERE APPLICABLE MUST REMAIN WITHIN DIMENSIONS |                            |                    |  |                        |                        |  |
| THIS DRAWING CONTAINS INFORMATION THAT IS PROPRIETARY TO MOLEX INCORPORATED AND SHOULD NOT BE USED WITHOUT WRITTEN PERMISSION |                                       |  |                            |                    |  |                        |                        |  |